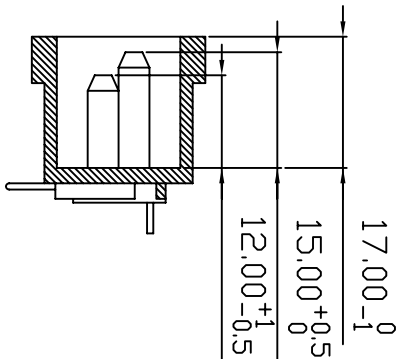
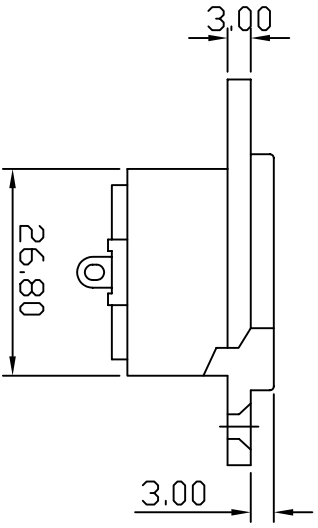
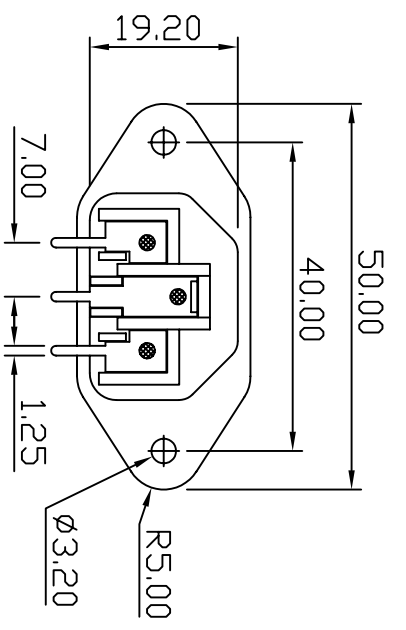
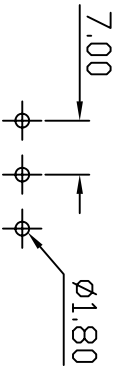


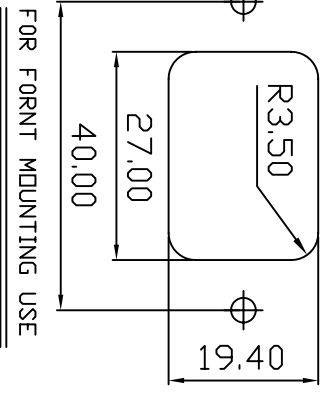
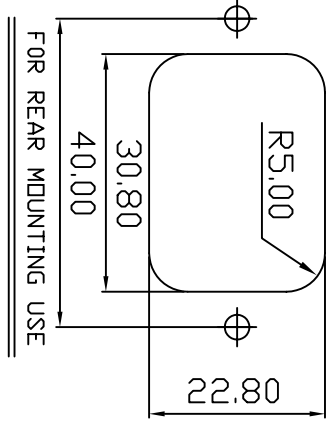
DIM	LEAD LENGTH	ORDER NO
A	3.2mm	3P32
A	4.8mm	3P1S
A	3.7mm	3P1A
A	9.2mm	3P1L



SECTION, AL



PCBLAYOUT



UL	E152973(S)	KEMA	99.0933.02
CSA	92953	SFS	FI 13155
VDE	121840	SEV	99.7 70280.02
SEMKO	9915140-04	OVE	F 968-002-00
NEMKO	P99101115-003	NBN	11740
DEMKO	DK99-01753-04	IMQ	EE244

TOLERANCE DIMENSION:	UNLESS OTHERWISE MARKED
0	±0.1
10	±0.3
30	±0.5
100	±0.5

10A/15A 250V~
 1. SOLDERING: PIN BRASS STRIP 0.8t TIN PLATING
 2. CONTACT: PIN BRASS STRIP 4t NICKEL PLATING
 3. BODY INSULATOR: NAN YA PBT UL94V-0

SUPERCOM
 (鴻維精密工業股份有限公司)

型號
 SC-9-A

繪圖	李虹玉	設計		校核		日期	2001/7/17
----	-----	----	--	----	--	----	-----------