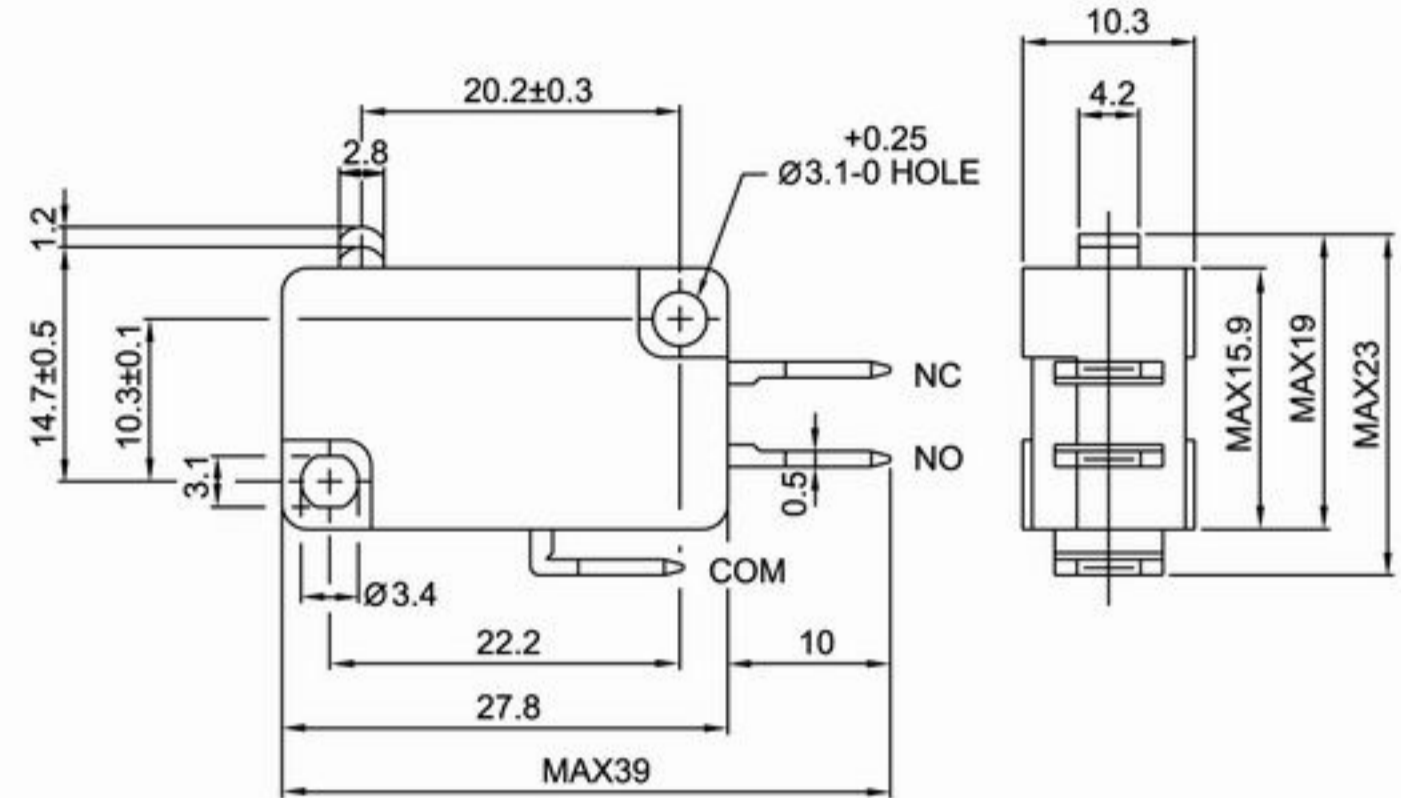


**VM SERIES**

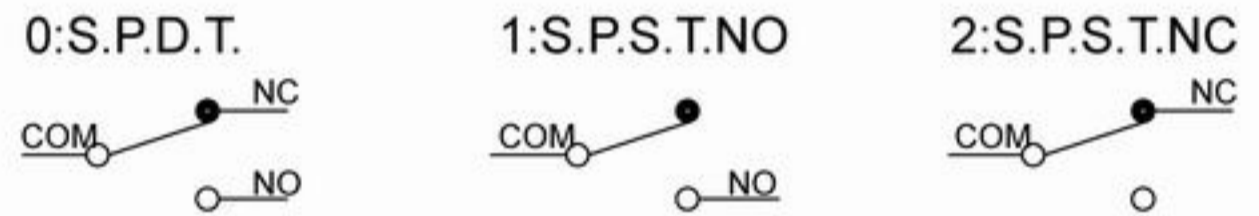
DIMENSIONS (Unless otherwise specified, a tolerance of ±0.4 mm applies to all dimensions.)



**SPECIFICATIONS**

- Contact Resistance ( initial ) ..... Max. 100mΩ
- Insulation Resistance ( at 500VDC/minute ) ..... Min. 100MΩ
- Dielectric Strength ..... 1000VAC ( 50~ 60Hz )
- Storage Temperature range ..... -25°C to 85°C
- Storage Humidity .....at 40°C, Max. 85% R.H
- Operating Temperature range ..... -40°C to 85°C
- Vibration ..... 10~55HZ, displacement 0.75 mm (p-p)
- Electrical Service Life ..... 0.1A, - Min. 1,000,000 operations  
5A - Min. 10,000 operations
- Electrical Operating Frequency ....0.1A – 120 operations per minute  
5A - 10~30 operations per minute
- Mechanical Service Life ..... Min.10,000,000 operations
- Mechanical Operating Frequency ..... 120 operations per minute

**CONTACT CONFIGURATION**



**APPLICATION**

- Joystick, TV game, Time recorder,
- Air conditioner, Food processor, Juicer
- Alarm, Mixer, Shredder

**CERTIFICATE INFORMATION**

Model Name	UL	CSA	ENEC14
VM-P1	0.1A 125/250VAC(Temp:85°C) Min. 10,000 operations	Non	Non
VM-05	5A 125/250VAC(Temp:85°C) Min. 10,000 operations	5A 125/250VAC Min. 6,000 operations	Non
VM-05	5A 125/250VAC(Temp:85°C) Min. 10,000 operations	5A 125/250VAC Min. 6,000 operations	5A 125/250VAC, u40T125, 1E4 (only for F,S,Q,H force)

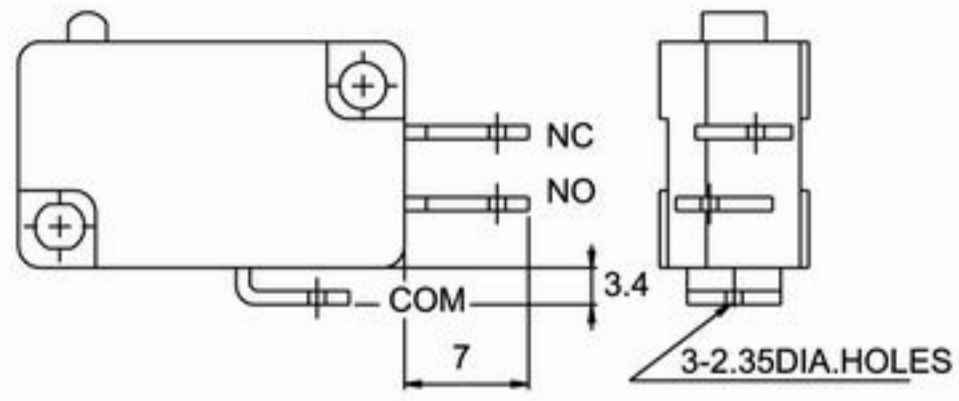
**THE SELECTION OF RATING & FORCE**

MODEL	RATING	B	L	D	F	S	Q	H
VM	0.1A	*	*	*	*	*	*	*
	5A				*	*	*	*

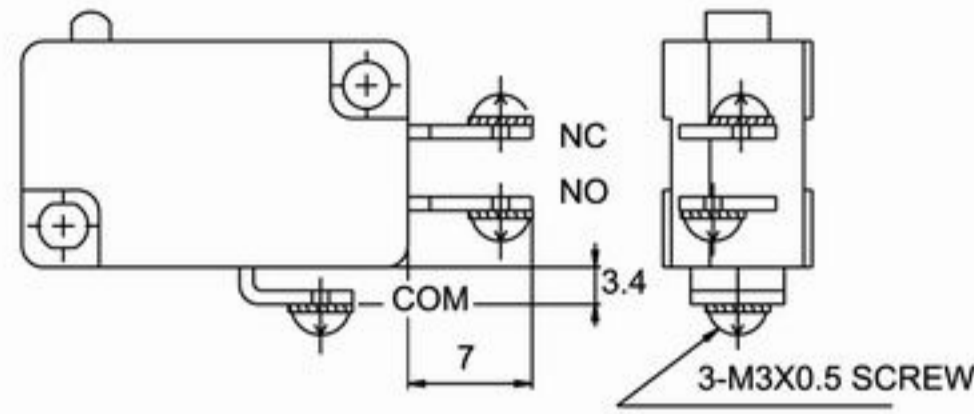
THE Symbol "\*" to represent the result is accept

## TERMINAL TYPES

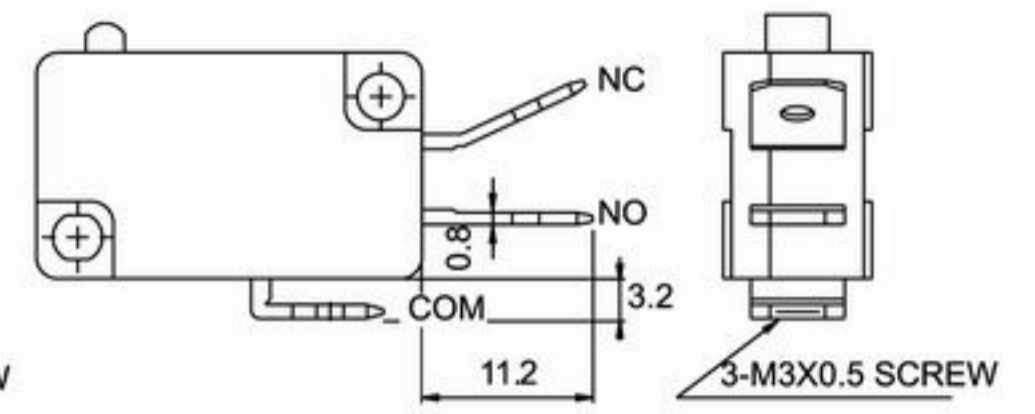
Solder terminal A Type



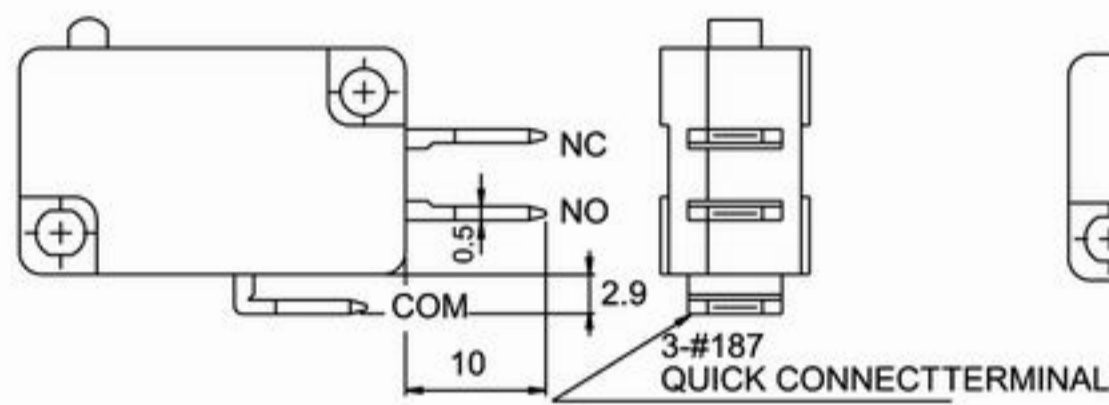
Screw terminal B TYPE



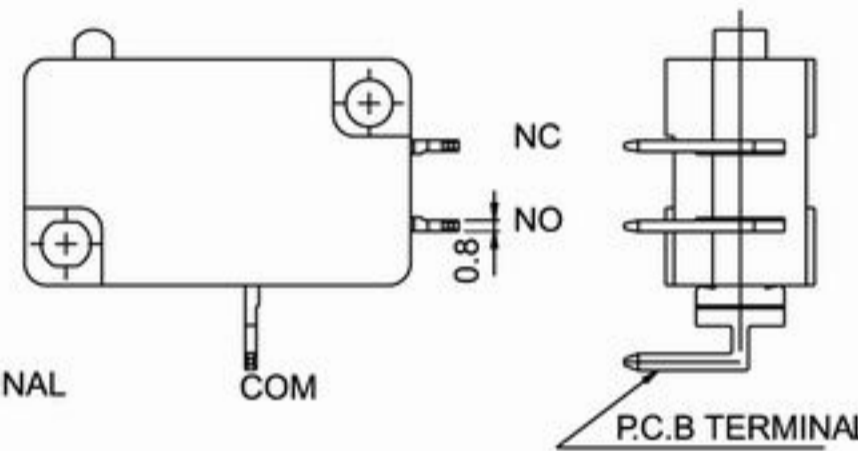
Quick connect terminal 250 Series CYPE



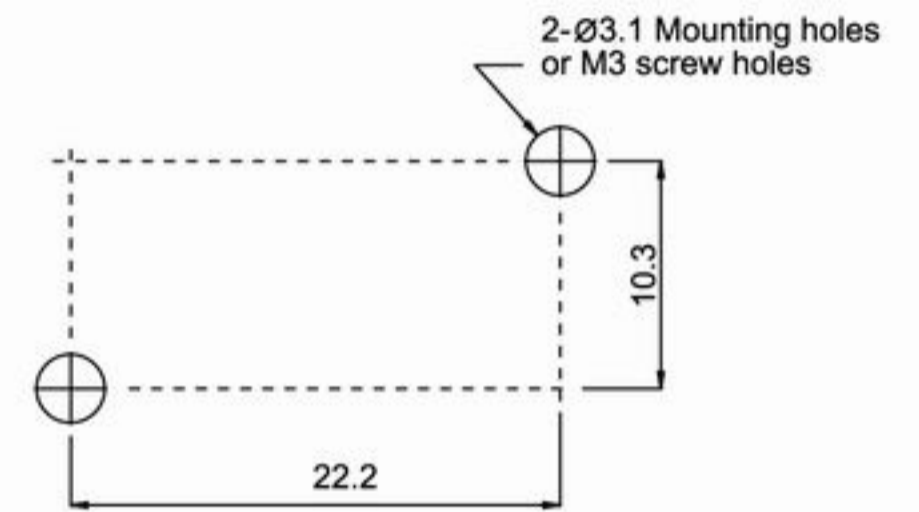
Quick connect terminal 187 Series D TYPE



PCB Terminal PTYPE



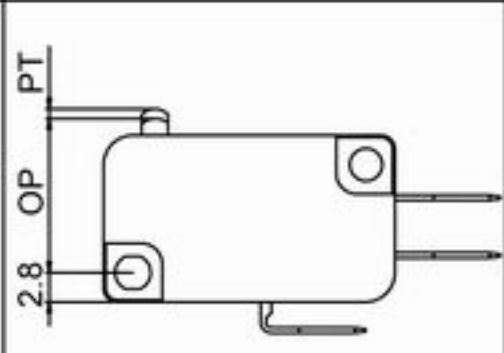
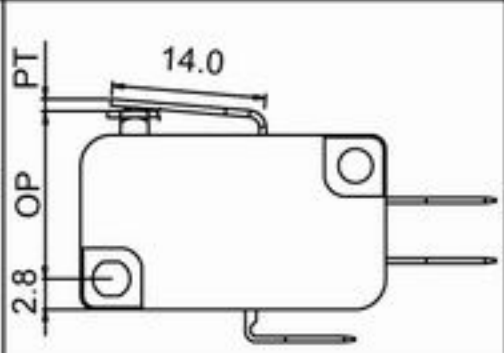
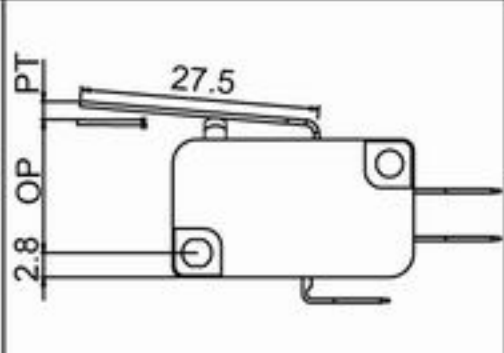
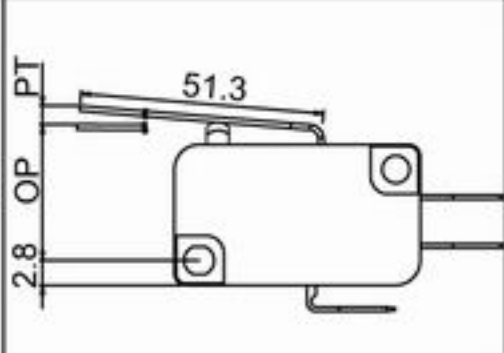
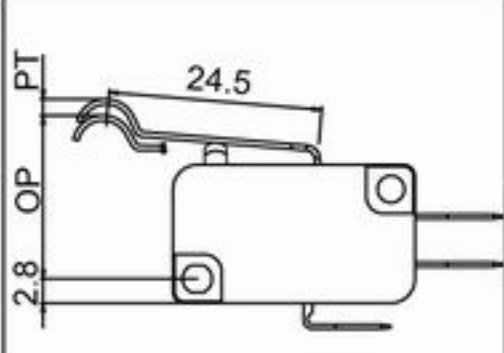
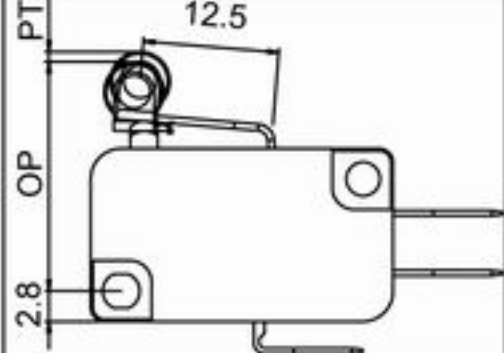
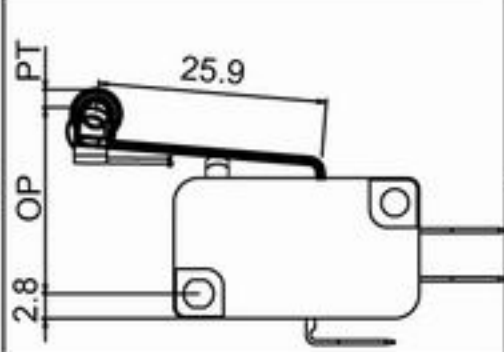
## MOUNTING HOLES



## ORDERING INFORMATION

<b>V</b>	<b>M</b>	<b>0</b>	<b>5</b>	<b>L</b>	<b>0</b>	<b>3</b>	<b>D</b>	<b>0</b>	<b>Z</b>				
SERIES PREFIX	CODE	RATING CURRENT		CODE	OPERATING FORCE		CODE	ACTUATOR TYPE	CODE	TERMINAL TYPE	CODE	CIRCUIT ARRANGEMENT	ROHS CODE
	P1	0.1A125/250VAC		B	8.4		00		A	SOLDER TERMINAL(A)	0	S.P.D.T	
	05	5A125/250VAC		L	14.2		01		B	SCREW TERMINAL(B)	1	S.P.S.T. NO	
				D			02		C	250 SERIES (C)	2	S.P.S.T. NC	
				F			03		D	187 SERIES (D)			
				S			04		P	PCB SERIES (P)			
				Q			05						
				H			06						
				A									
				K									
				C									
				E									
				R									
				P									
				G									

## ORDERING CHARACTERISTICS

SWITCH TYPE	PART SUFFIX	OF- Max. (gf)							OP (mm)	PT Max (mm)	OT Min (mm)	MD Max (mm)
		B	L	D	F	S	Q	H				
		A	K	C	E	R	P	G				
VM-□□□-00□□-Z		20	50	100	150	200	330	400	14.7 ±0.5	1.3	0.8	0.4
VM-□□□-01□□-Z		20	50	100	150	200	330	400	15.3 ±0.5	1.6	0.6	0.5
		10	23	46	69	92	151	183	15.3 ±1.1	2.8	1.75	0.75
VM-□□□-02□□-Z		9	30	44	66	120	144	220	15.3 ±1.5	3.3	1.6	1.2
		5	11	22	41	51	72	87	15.3 ±2.3	5.75	3.10	1.6
VM-□□□-03□□-Z		5	15	24	35	60	77	120	15.3 ±2.5	7.6	3.0	2.2
		—	8	12	18	38	39	47	15.3 ±4.3	11.1	5.0	3.0
VM-□□□-04□□-Z		10	30	49	74	120	161	220	18.7 ±1.5	3.4	1.6	1.2
		5	13	25	46	57	81	98	18.7 ±2.1	5.3	2.55	1.4
VM-□□□-05□□-Z		20	50	97	145	200	320	400	20.7 ±0.8	1.5	0.6	0.5
		10	23	49	80	115	160	194	20.7 ±1.1	2.9	1.4	0.7
VM-□□□-06□□-Z		10	30	47	70	120	153	220	20.7 ±1.5	3.4	1.6	1.2
		7	12	24	35	47	77	93	20.7 ±2.2	5.5	2.8	1.5