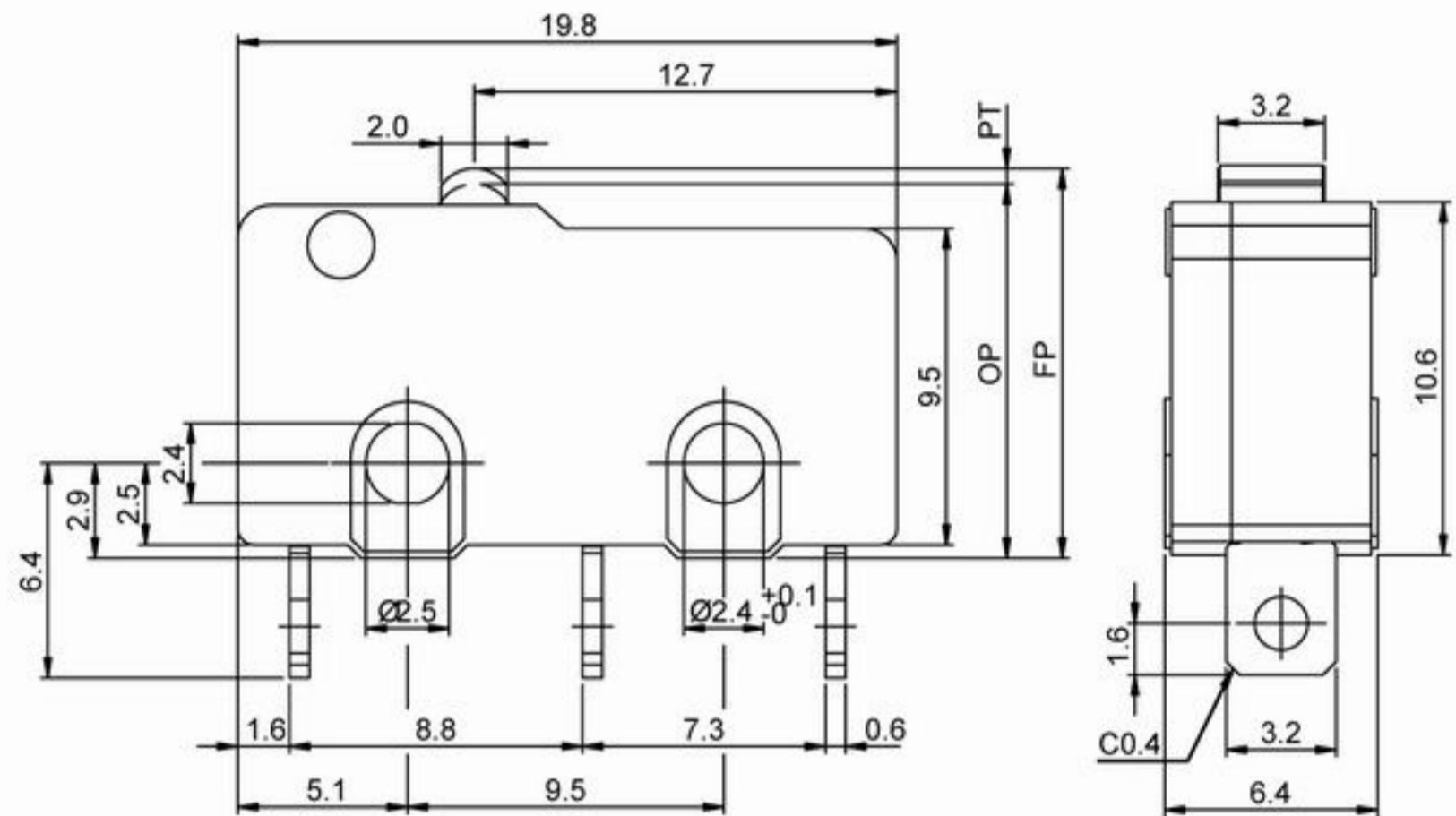


SM1 SERIES

DIMENSIONS (Unless otherwise specified, a tolerance of $\pm 0.4\text{mm}$ applies to all dimensions.)



SPECIFICATIONS

- Contact Resistance (initial) Max. 300m Ω
- Insulation Resistance (at 250VDC/minute) Min. 100M Ω
- Dielectric Strength 1000VAC (50~ 60Hz)
- Storage Temperature range -25°C to 85°C
- Storage Humidityat 40°C, Max. 85% R.H
- Operating Temperature range -40°C to 125°C
- Vibration 10~55HZ, displacement 0.75 mm (p-p)
- Electrical Service Life Min. 10,000 operations
- Electrical Operating Frequency10~30 operations per minute
- Mechanical Service Life..... SM1-C5/-06 series(S/L/D force),
Min. 10,000,000 operations
SM1-10 series(S force), Min. 1,000,000 operations
All series for H force no define the life.
- Mechanical Operating Frequency 120 operations per minute

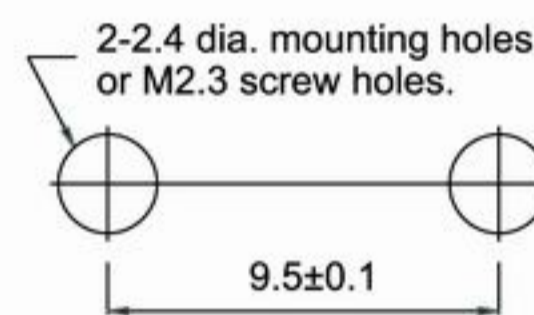
CONTACT CONFIGURATION



APPLICATION

Telephone, Air conditioner, Computer, Humidifier, Alarm, Time recorder, Mixer & Chopper, Solder gun, Neon phone, Fax machine, Joystick, Water pump, Gas detector, Pencil sharpener, Money sorter, Food processor, Electric knife, Toy car, Juicer, Electric steak pan.

MOUNTING HOLES



CERTIFICATE INFORMATION

Model Name	UL, cUL	ENEC14
SM1-P1	0.1A 125/250VAC(Temp:125°C) Min. 10,000 operations	0.1A 125/250VAC, u40T125 1E4
SM1-03	3A 125/250VAC(Temp:125°C) Min. 10,000 operations	3A 125/250VAC,u40T125 1E4
SM1-06	6A 125/250VAC(Temp:125°C) Min. 10,000 operations	6A 125/250VAC,u40T125 1E4 6(2)A 125/250VAC,u40T125 1E4
SM1-10	10.1A 125/250VAC(Temp:125°C) Min. 10,000 operations	10.1A 125/250VAC,u40T125 1E4 6(2)A 125/250VAC,u40T125 1E4
SM1-16	16A 125/250VAC(Temp:65°C) Min. 6,000 operations	16.1A 125/250VAC,u40T125 1E4 6(3)A 125/250VAC,u40T125 1E4
SM1-C5	5A 125/250VAC(Temp:85°C) Min. 10,000 operations	5A 125/250VAC,uT85 1E4
SM1-C3	3A 125/250VAC(Temp:85°C) Min. 10,000 operations	3A 125/250VAC,uT85 1E4
SM1-C1	0.1A 125/250VAC(Temp:85°C) Min. 10,000 operations	0.1A 125/250VAC,uT85 1E4

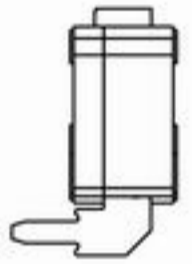
THE SELECTION OF RATING & FORCE

MODEL	Rating	D	L	S	H
SM1	0.1A	*	*	*	*
	3A	*	*	*	*
	5 A	*	*	*	*
	6 A	*	*	*	*
	10A			*	*
	16A				*

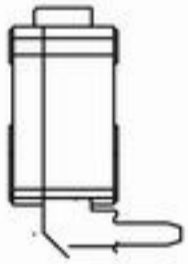
TERMINAL TYPES

PCB terminal

C TYPE

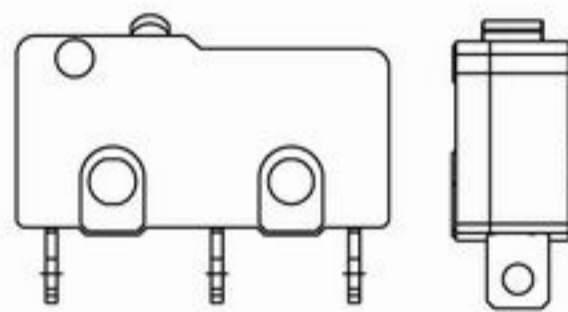


D TYPE

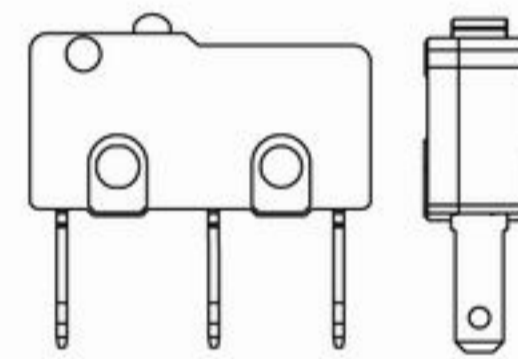


Solder terminal

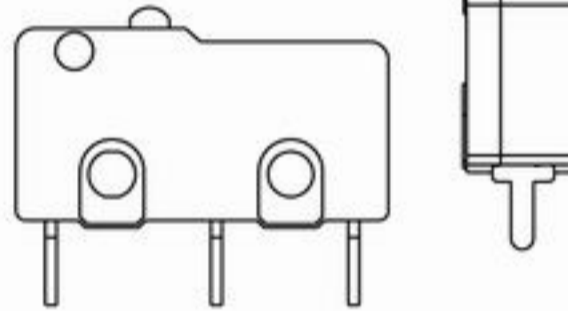
A TYPE



B TYPE



P TYPE



ORDERING INFORMATION

S	M	1	—	0	6	—	S	—	0	0	—	A	—	0	—	Z				
SERIES PREFIX			CODE	RATING CURRENT		CODE	OPERATING FORCE		CODE	ACTUATOR TYPE		CODE	TERMINAL TYPE		CODE	CONTACT ARRANGEMENT		CODE	ROHS CODE	
P1				0.1A 125/250VAC		S	STANDARD		00			A			0	S.P.D.T				
03				3A 125/250VAC		L	LIGHT		01			B			1	S.P.S.T NO				
06				6A 125/250VAC 6(2)A 125/250VAC		D	SLIGHT		02			C			2	S.P.S.T NC				
10				10.1A 125/250VAC 6(2)A 125/250VAC ONLY S/H FORCE		H	HEAVIER		03			D								
16				16A 125/250VAC 6(3)A 125/250VAC ONLY H FORCE				04			P									
C5				5A 125/250VAC				05												
C3				3A 125/250VAC				06												
C1				0.1A 125/250VAC				07												
								08												
								09												

OPERATING CHARACTERISTICS

SWITCH TYPE	PART SUFFIX	OF MAX. (gf)	OP (mm)	PT MAX. (mm)	OT Min. (mm)	MD MAX. (mm)	FP MAX. (mm)	RF Min. (gf)
SM1-□□□-00□□Z		H 355	11.4±0.3	1.1	0.4	0.2	12.2	100
		S 150						25
		L 95						10
SM1-□□□-01□□Z		H 118	11.4±1.1	4.63	0.53	1.45	14.6	20
		S 50	11.8±0.8	3.6	0.6	0.8		6
		L 28				1		
SM1-□□□-02□□Z		H 107	11.4±1.3	5.29	0.48	1.67	14.94	17
		S 45	11.8±0.9	4.03	0.67	0.9		5
		L 25				1		
SM1-□□□-03□□Z		H 87	11.0±1.8	7.47	0.18	2.40	15.96	11
		S 34	11.8±1.5	5.35	0.89	1.19		2
		L 20				1		
SM1-□□□-04□□Z		H 111	13.3±1.2	5.02	0.51	1.58	16.66	19
		S 47	13.7±0.9	3.86	0.64	0.86		5
		L 26				1		
SM1-□□□-05□□Z		H 117	17.1±1.1	4.60	0.55	1.44	20.5	21
		S 50	17.5±0.8	3.8	0.6	0.8		6
		L 28				1		
SM1-□□□-06□□Z		H 97	18.0±1.5	6.12	0.4	1.95	23.2	15
		S 42	19.0±1.5	5.7	1.0	1.0		2
		L 23				1		
SM1-□□□-07□□Z		H 55	9.9±2.7	11.20	0.5	4.1	18.4	8
		S 25	11.8±2.0	8.6	1.5	1.8		1
		L 16				1		
SM1-□□□-08□□Z		S 25	-2.3±3.0	6.0	X	1.9	5.4	1
		L 17						1
SM1-□□□-09□□Z		S 15	11.8±3.0	13.3	1.0	2.9	22.1	2
		L 12						1