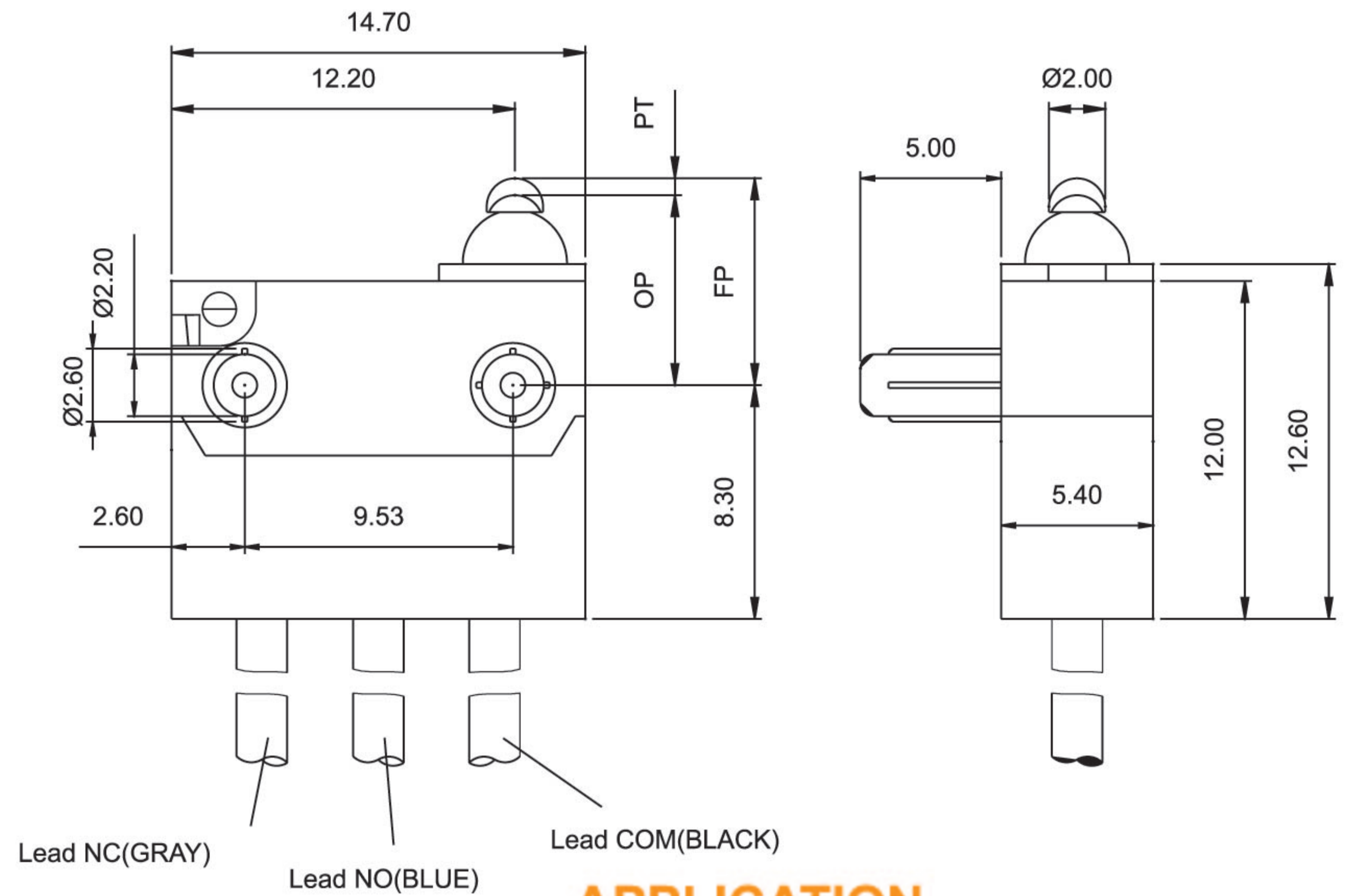
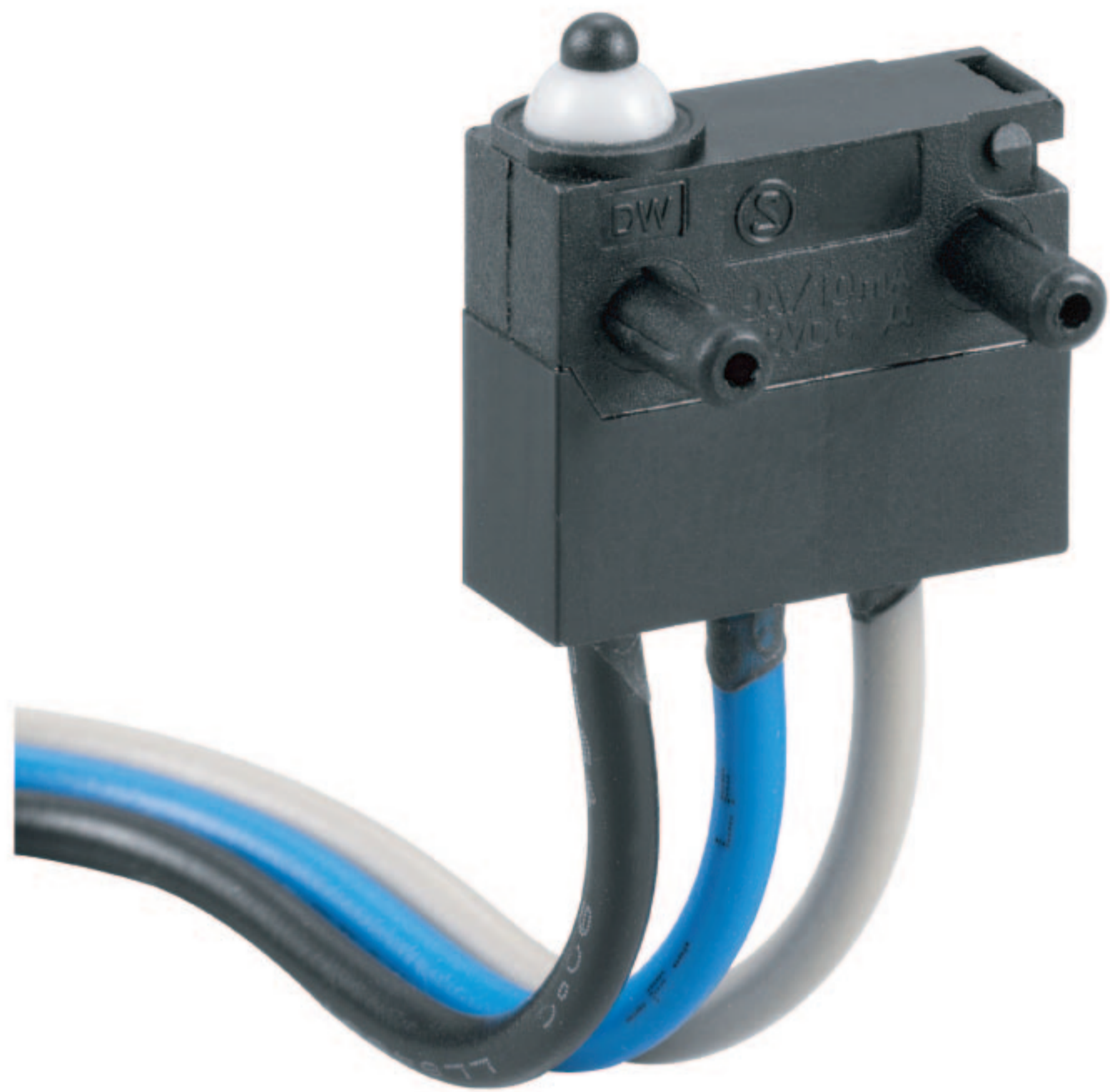


**DW SERIES (IP67)**

DIMENSIONS (Unless otherwise specified, a tolerance of ±0.4 mm applies to all dimensions.)



**CERTIFICATE INFORMATION**

Model Name	UL, cUL	ENEC14
DW-N2S	10mA 12VDC (Temp:65°C), Min. 10,000 operations	10mA 12VDC,u 5E5
DW-N3S	3A 12VDC(Temp:65°C) Min. 100,000 operations 3A 125VAC(Temp:65°C) Min. 6,000 operations	3A 12VDC,u 1E5

Automotive (operation system, Engine area interior)Air conditioner, Communication,Electric tooth brush,Toys

**APPLICATION**

**ORDERING INFORMATION**

<b>DW</b>	<b>N2</b>	<b>S</b>	<b>01</b>	<b>A</b>	<b>0</b>	<b>E</b>	<b>A</b>	<b>001A</b>	<b>Z</b>
SERIES PREFIX	RATING CURRENT	OPERATING FORCE	ACTUATOR TYPE	PILLAR & TRAVEL TYPE	CIRCUIT ARRANGEMENT	AWG TYPE	UL NUMBER	SERIAL CODE	ROHS CODE
	10mA 12VDC Contact Plated Gold and Terminal Plated Sliver	STANDARD	00	A	0 S.P.D.T	E 20	A UL 1007		
	3A 12VDC 3A 125VAC Terminal Plated Sliver and Contact is Sliver		01	B	1 S.P.S.T.NO	F 22	C UL 1430		
			04	C	2 S.P.S.T.NC	G 24	D UL 1061		
				G		H 26	E UL 1330		
				I					
				K					
				D					
				E					
				F					
				H					
				J					
				L					

CODE	L1	H	QA	QB	QC	QD	P
A	2.0	3.7	2.2	2.6	2.2	2.6	9.53
B	3.5	3.7	2.2	2.6	2.2	2.6	9.53
C	2.8	3.75	2.7	3.1 THREE	2.2	2.6	9.53
D	4.0	3.7	2.2	2.6	2.2	2.6	9.53
E	0.9	3.7	2.2	N/A	2.2	N/A	9.53
F	1.8	3.7	2.5	N/A	2.5	N/A	9.53
G	5.0	3.7	2.4	2.8	2.4	2.8	8.0