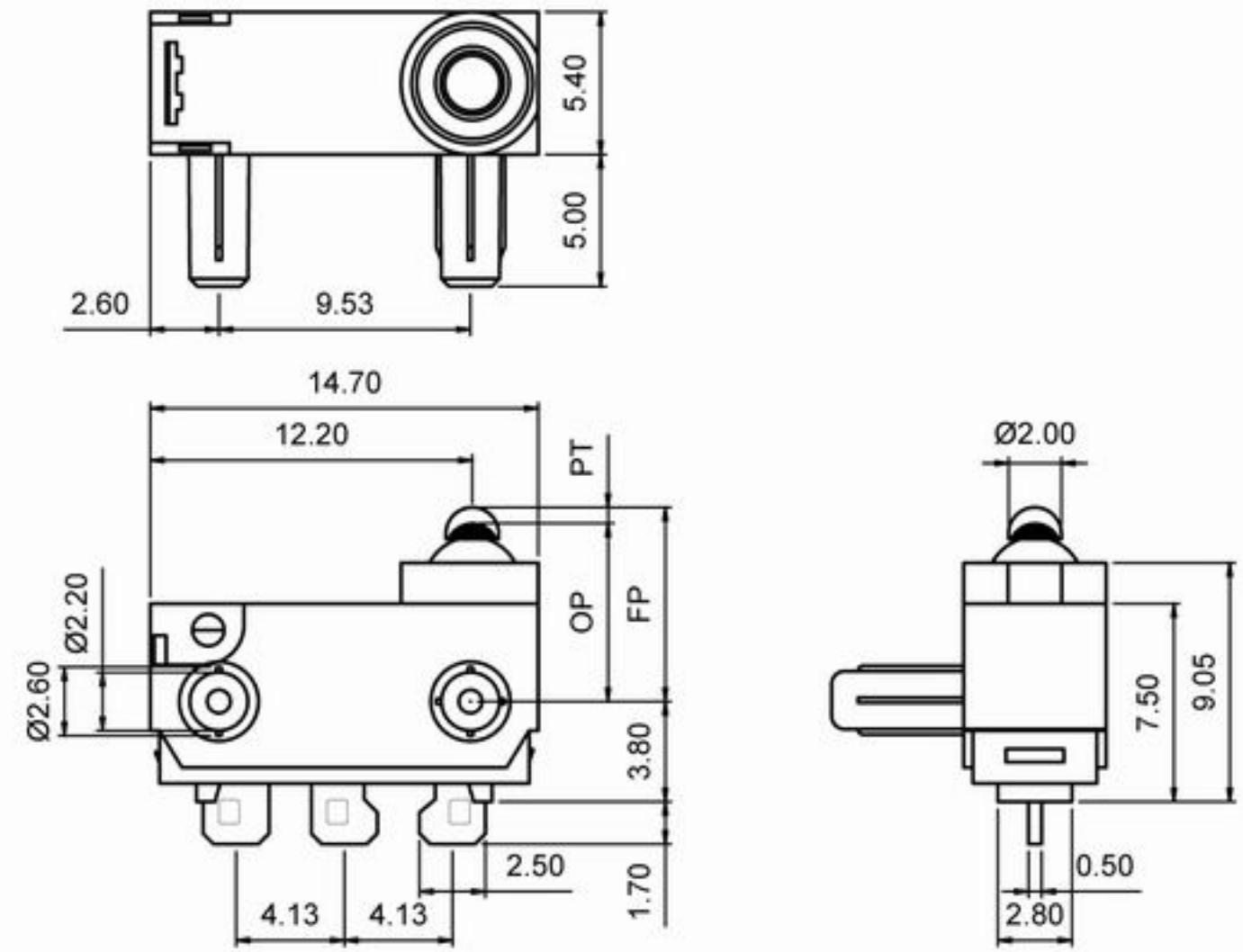




DW SERIES

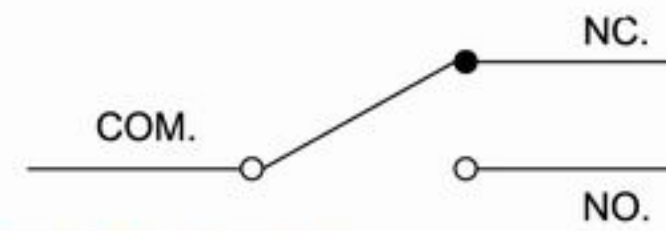
DIMENSIONS (Unless otherwise specified, a tolerance of ±0.4 mm applies to all dimensions.)



SPECIFICATIONS

- Contact Resistance (initial).....Max. 100mΩ
- Insulation Resistance (at 250VDC/minute).....Min. 100MΩ
- Dielectric Strength.....150VAC (50~60Hz)
- Storage Temperature Range..... -25°C to 85°C
- Storage Humidity.....at 40°C, Max. 85% R.H
- Operating Temperature range..... -40°C to 85°C
- Vibration.....10~55Hz, displacement 0.75mm (p-p)
- Electrical Service Life.....10mA-Min. 500,000 operations
3A-Min. 6,000 operations
- Electrical Operating Frequency....10mA-120 operations per minute
3A-10~30 operations per minute
- Mechanical Service Life.....Min. 500,000 operations
- Mechanical Operating Frequency.....120 operations per minute

CONTACT CONFIGURATION



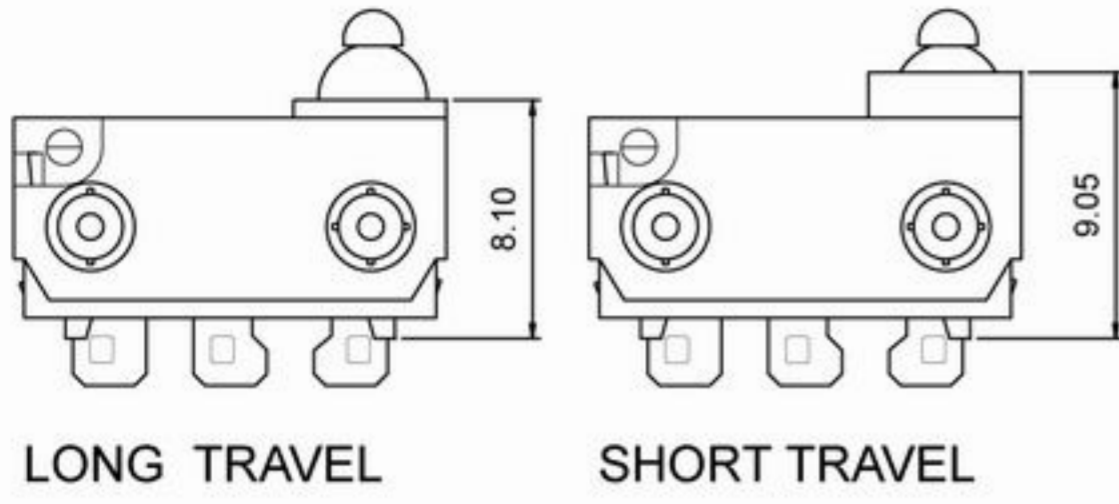
APPLICATION

- Automotive (Operation system, Engine area Interior),
- Air conditioner, communication, Electric tooth brush, toys

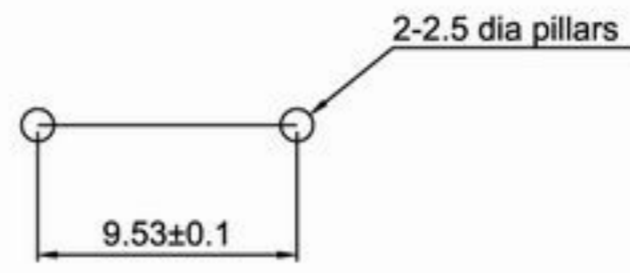
CERTIFICATE INFORMATION

Model Name	UL, cUL	ENEC14
DW-N2S	10mA 12VDC (Temp:65°C), Min. 10,000 operations	10mA 12VDC,u 5E5
DW-N3S	3A 12VDC(Temp:65°C) Min. 100,000 operations 3A 125VAC(Temp:65°C) Min. 6,000 operations	3A 12VDC,u 1E5

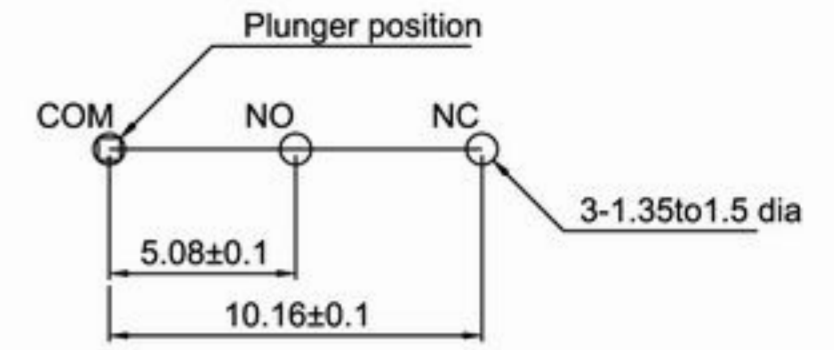
TRAVEL TYPES



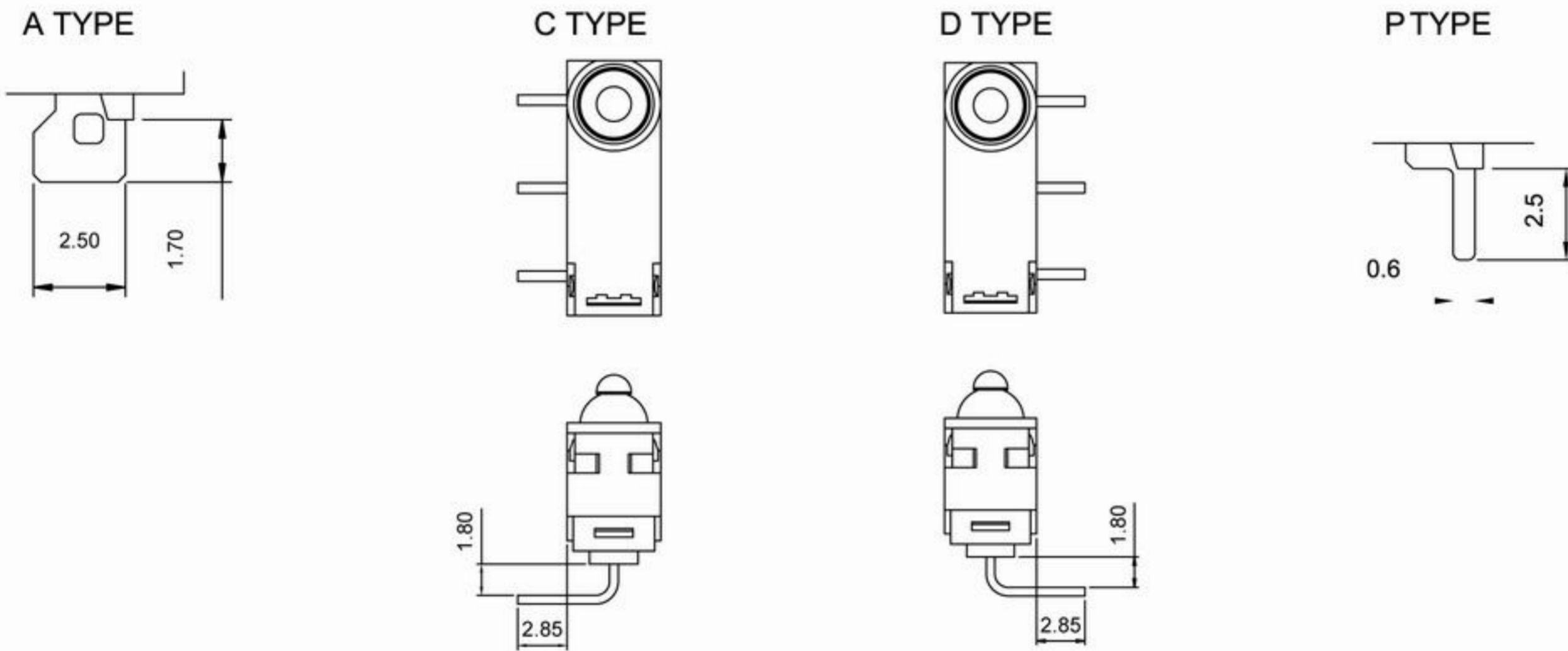
PILLAR PITCH



MOUNTING HOLE FOR PCB TERMINAL



TERMINAL TYPES (The thickness of each terminal is 0.5mm)

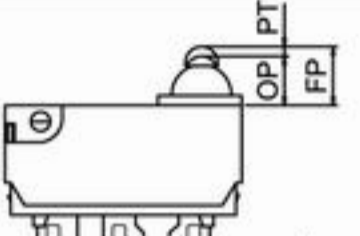
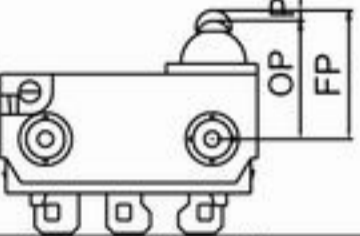
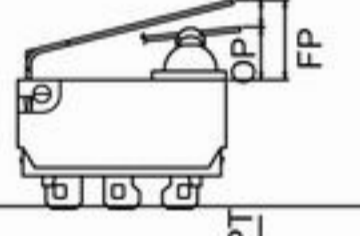
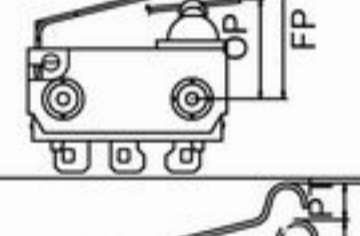

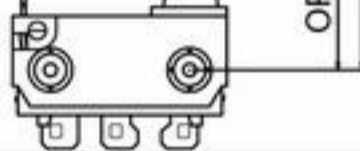


ORDERING INFORMATION

DW	N2	S	O1	A	0	A	OA	Z	
SERIES PREFIX	CODE	RATING CURRENT	OPERATING FORCE	ACTUATOR TYPE	TERMINAL TYPE	CIRCUIT ARRANGEMENT	PILLAR & TRAVEL TYPE	SPECIAL CODE	ROHS CODE
	N2	10mA 12VDC Contact Plated Gold and Terminal Plated Sliver	S STANDARD	00	A	0 S.P.D.T	A		
	N3	3A 12VDC 3A 125VAC Terminal Plated Sliver and Contact is Sliver		01	C	1 S.P.S.T NO Only Terminal Type C D P	B		
				04	D	2 S.P.S.T NC Only Terminal Type C D P	C		
					P		G		
							I		
							K		
							D		
							E		
							F		
							H		
							J		
							L		

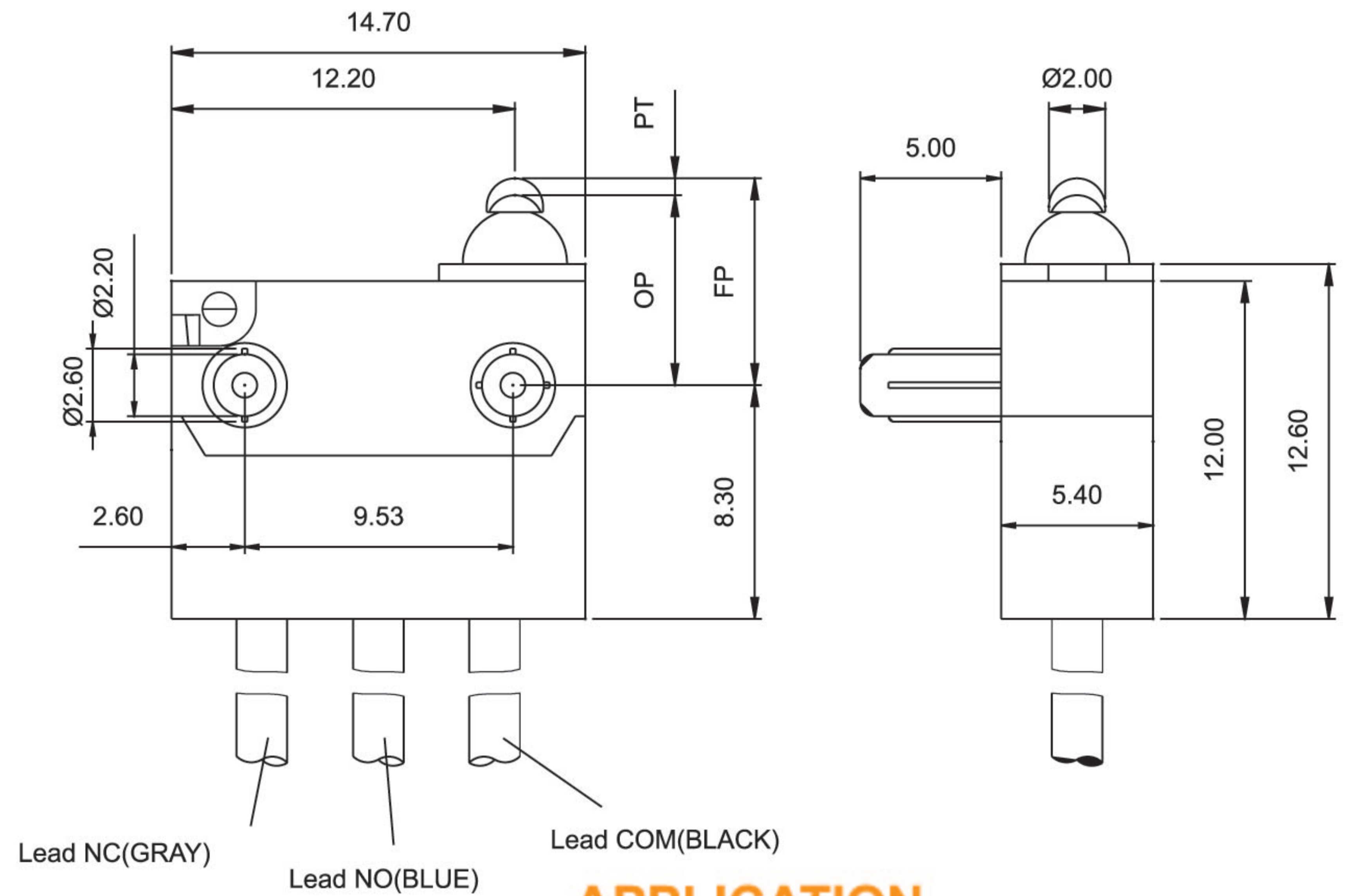
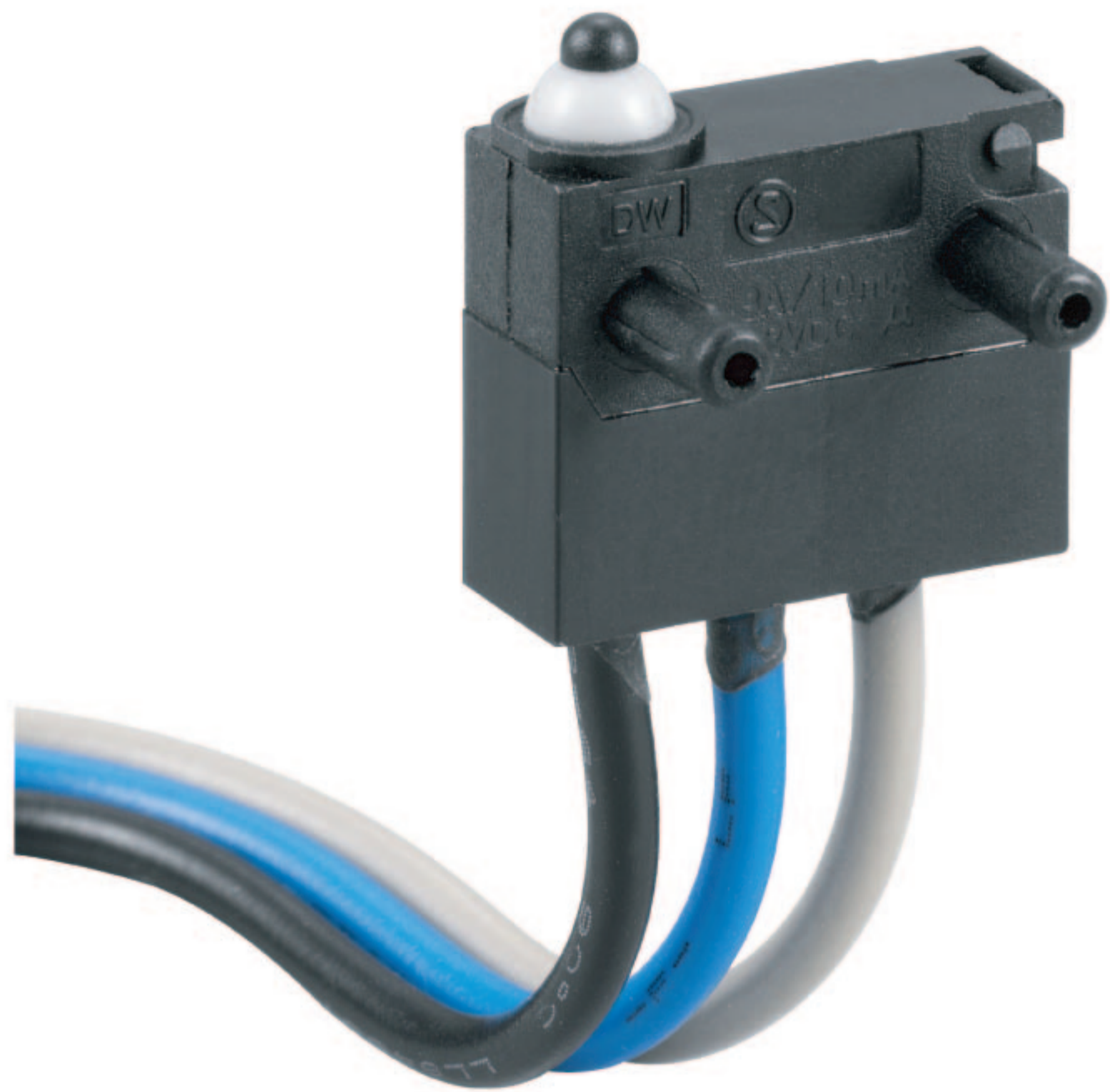
DIMENSIONS							
CODE	L1	H	QA	QB	QC	QD	P
A	2.0	3.7	2.2	2.6	2.2	2.6	9.53
B	3.5	3.7	2.2	2.6	2.2	2.6	9.53
C	2.8	3.75	2.7	3.1 THREE	2.2	2.6	9.53
D	4.0	3.7	2.2	2.6	2.2	2.6	9.53
E	0.9	3.7	2.2	N/A	2.2	N/A	9.53
F	1.8	3.7	2.5	N/A	2.5	N/A	9.53
G	5.0	3.7	2.4	2.8	2.4	2.8	8.0

ORDERING CHARACTERISTICS

SWITCH TYPE	PART SUFFIX	OF MAX. (gf)	OP (mm)	PT MAX. (mm)	OT Min. (mm)	MD MAX. (mm)	FP MAX. (mm)	RF Min. (gf)
DW-□□ S-00A0-Z		S	130	3.05±0.2	0.8	0.8	0.3	3.65
								7.35
DW-□□ S-01A0-Z		S	195	3.7±0.5	3.85	1.35	0.5	7.0
								10.7
DW-□□ S-04A0-Z		S	160	6.2±0.8	4.8	1.65	0.7	10.1
								13.8

DW SERIES (IP67)

DIMENSIONS (Unless otherwise specified, a tolerance of ±0.4 mm applies to all dimensions.)



CERTIFICATE INFORMATION

Model Name	UL, cUL	ENEC14
DW-N2S	10mA 12VDC (Temp:65°C), Min. 10,000 operations	10mA 12VDC,u 5E5
DW-N3S	3A 12VDC(Temp:65°C) Min. 100,000 operations 3A 125VAC(Temp:65°C) Min. 6,000 operations	3A 12VDC,u 1E5

Automotive (operation system, Engine area interior)Air conditioner, Communication,Electric tooth brush,Toys

APPLICATION

ORDERING INFORMATION

DW	N2	S	01	A	0	E	A	001A	Z
SERIES PREFIX	RATING CURRENT	OPERATING FORCE	ACTUATOR TYPE	PILLAR & TRAVEL TYPE	CIRCUIT ARRANGEMENT	AWG TYPE	UL NUMBER	SERIAL CODE	ROHS CODE
	10mA 12VDC Contact Plated Gold and Terminal Plated Sliver	STANDARD	00	A	0 S.P.D.T	E 20	A UL 1007	0	
	3A 12VDC 3A 125VAC Terminal Plated Sliver and Contact is Sliver		01	B	1 S.P.S.T.NO	F 22	C UL 1430	R	
			04	C	2 S.P.S.T.NC	G 24	D UL 1061	L	
				G		H 26	E UL 1330		
				I					
				K					
				D					
				E					
				F					
				H					
				J					
				L					

CODE	L1	H	QA	QB	QC	QD	P
A	2.0	3.7	2.2	2.6	2.2	2.6	9.53
B	3.5	3.7	2.2	2.6	2.2	2.6	9.53
C	2.8	3.75	2.7	3.1 THREE	2.2	2.6	9.53
D	4.0	3.7	2.2	2.6	2.2	2.6	9.53
E	0.9	3.7	2.2	N/A	2.2	N/A	9.53
F	1.8	3.7	2.5	N/A	2.5	N/A	9.53
G	5.0	3.7	2.4	2.8	2.4	2.8	8.0