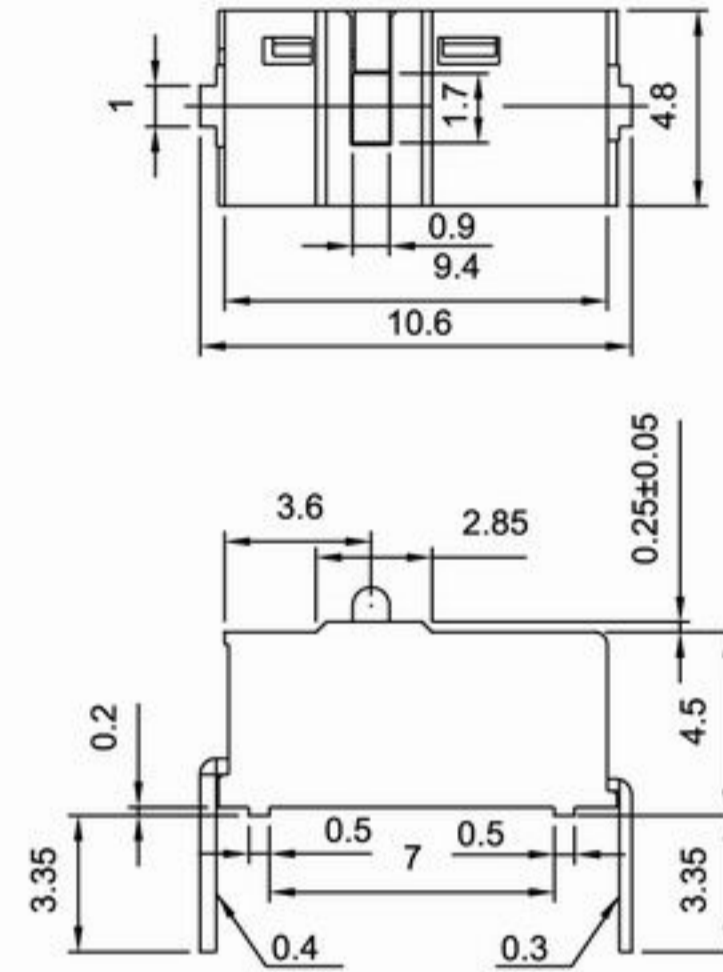


DS SERIES

DIMENSIONS (Unless otherwise specified, a tolerance of ± 0.4 mm applies to all dimensions.)



SPECIFICATIONS

- Contact Resistance (initial).....Max. 800m Ω
- Insulation Resistance (at 250VDC/minute).....Min. 100M Ω
- Dielectric Strength.....AC 250 VAC (50~60Hz)
- Storage Temperature Range..... -25°C to 85°C
- Storage Humidity.....at 40°C, Max. 85% R.H
- Operating Temperature range.....0°C to 55°C
- Vibration.....10~55Hz, displacement 0.75mm (p-p)
- Electrical Service Life..... All rating Min.100,000 operations
- Electrical Operating Frequency.....120 operations per minute
- Mechanical Service Life.....Min. 3,000,000 operations
- Mechanical Operating Frequency.....120 operations per minute

CONTACT CONFIGURATION



RATING

0.1A125 VAC, 0.1A48 VDC,
50mA12 VDC

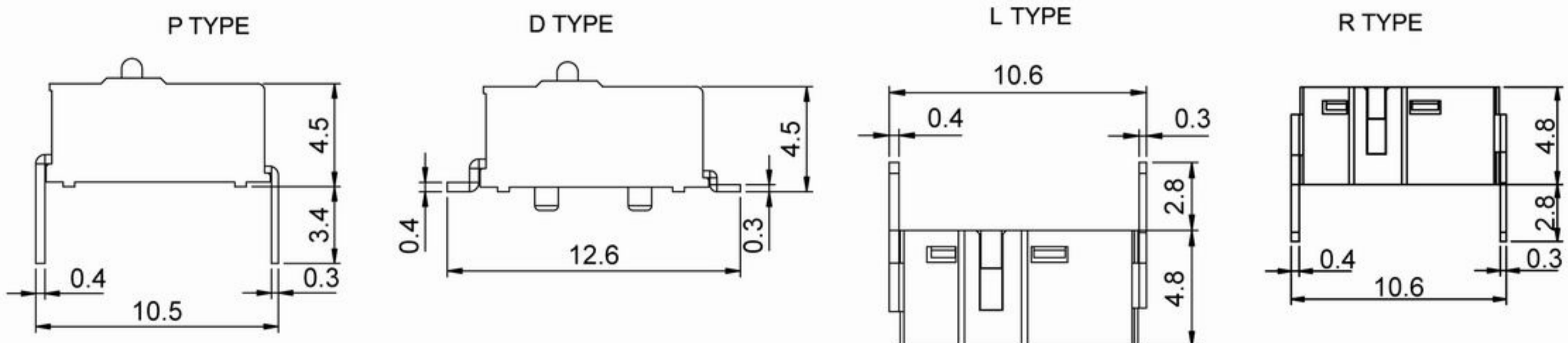
APPLICATION

Mouse, Joystick.

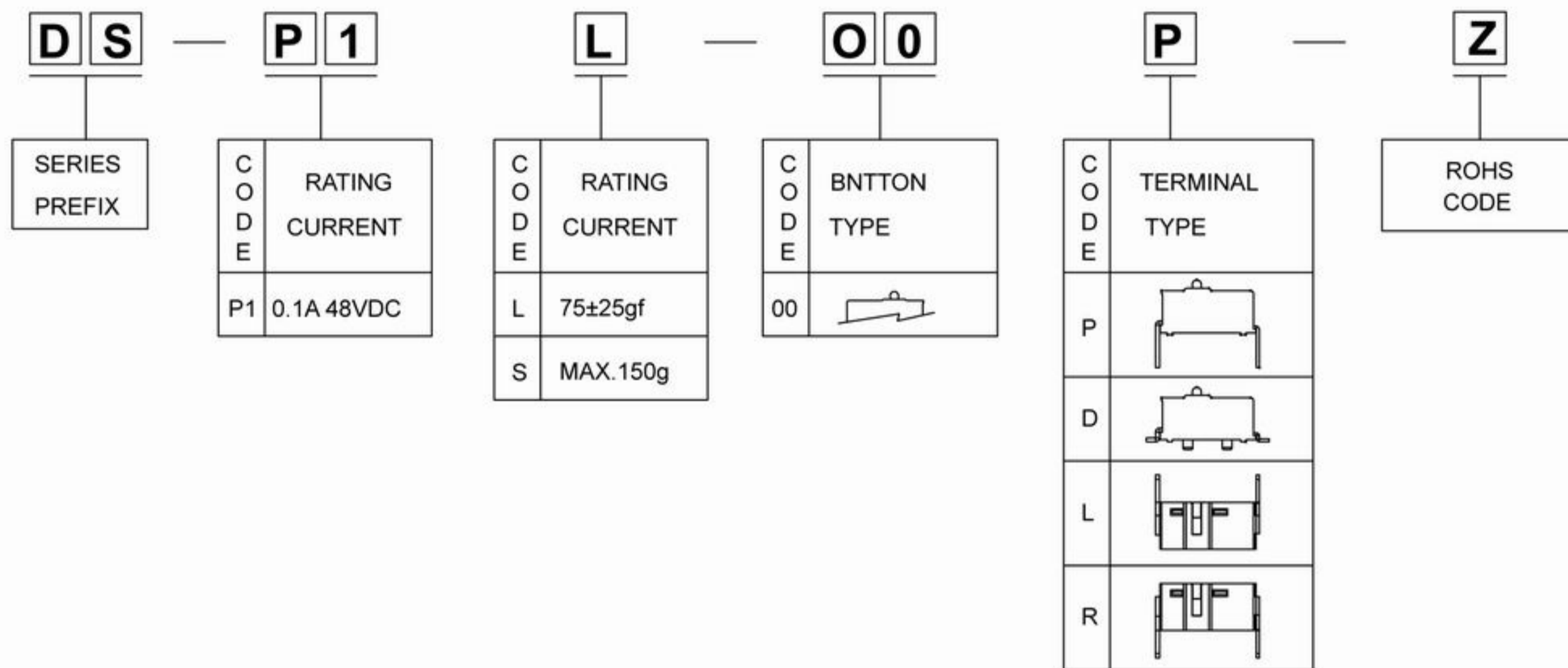
MOUNTING HOLES

P Type Terminal	D Type Terminal	R.L Type Terminal

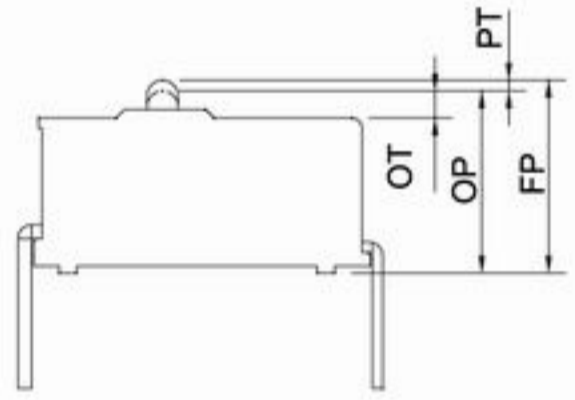
TERMINAL TYPES



ORDERING INFORMATION



ORDERING CHARACTERISTICS

SWITCH TYPE	PART SUFFIX	OF (gf)	OP (mm)	PT Max.(mm)	OT Min.(mm)	MD Max.(mm)	RF Max.(gf)
DS-P1□-00P-Z		L 75±25	5.25±0.2	0.95	0.25	0.35	15
		S Max.150					30